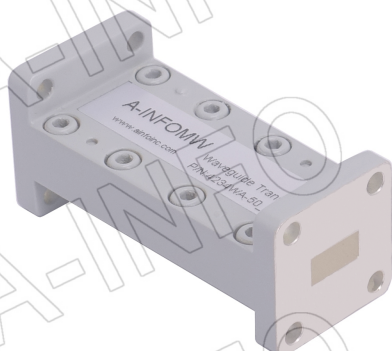


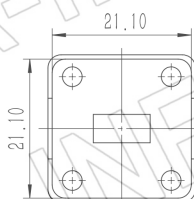
For reference only. See data sheet for the detailed specifications.

Technical Specification



EIA WR to WR	WR42 - WR34
Frequency Range(GHz)	22.0 - 26.5
Length(mm\inch)	50 \ 2
Insertion Loss(dB)	0.1 Max.
VSWR	1.05:1 Max.
WR42 Flange	FBP220(UBR220)
WR34 Flange	FBP260(UBR260)
Material	Cu
Finish	Silver Plated, Gray Paint
Size(mm)	50 x 22.4 x 22.4
Net Weight(Kg)	0.08 Around

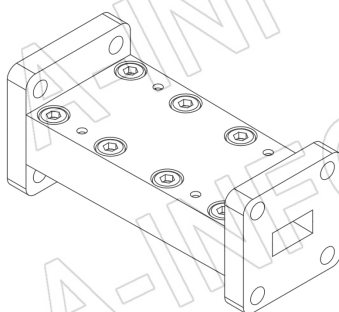
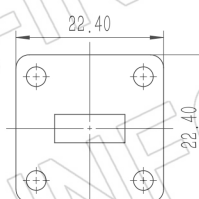
Outline Drawing (Size: mm)



FBP220(UBR220)



FBP260(UBR260)



AINFO Inc.

China(Beijing):
China(Chengdu):
USA :

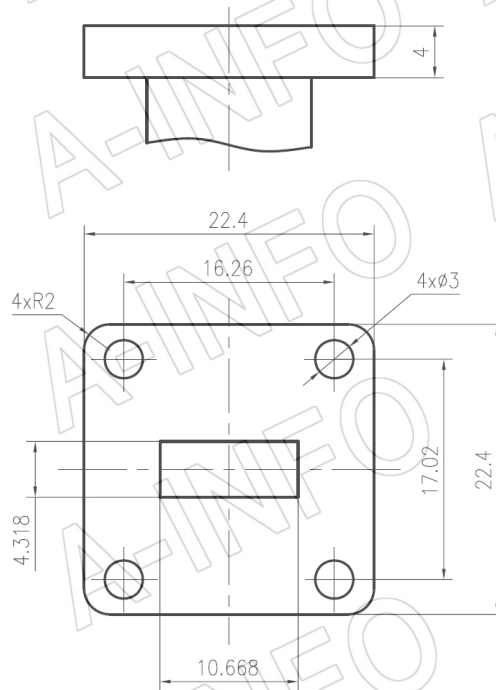
Tel: (+86) 10-6266-7326,
Tel: (+86) 28-8519-2786,
Tel: (+1) 949-639-9688,

Page 1 of 3

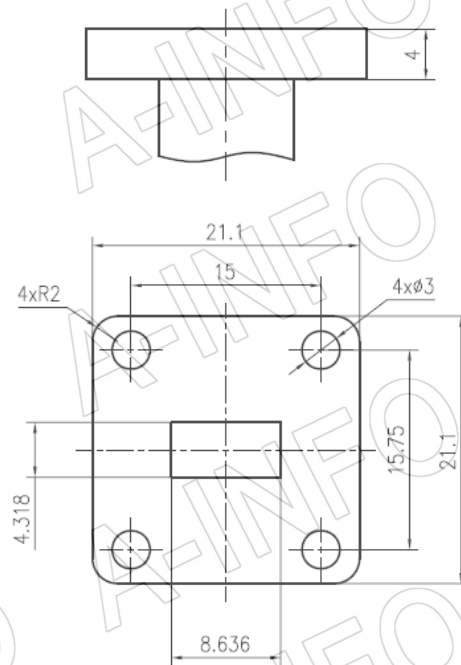
(+86) 10-6266-7327 Fax: (+86) 10-6266-7379
(+86) 28-8519-3044 Fax: (+86) 28-8519-3068
(+1) 949-639-9608 Fax: (+1) 949-639-9670

Website: www.ainfoinc.com
Email: sales@ainfoinc.com

Outline Drawing (Size: mm)



FBP220



FBP260

AINFO Inc.

China(Beijing): Tel: (+86) 10-6266-7326,
China(Chengdu): Tel: (+86) 28-8519-2786,
USA: Tel: (+1) 949-639-9688,

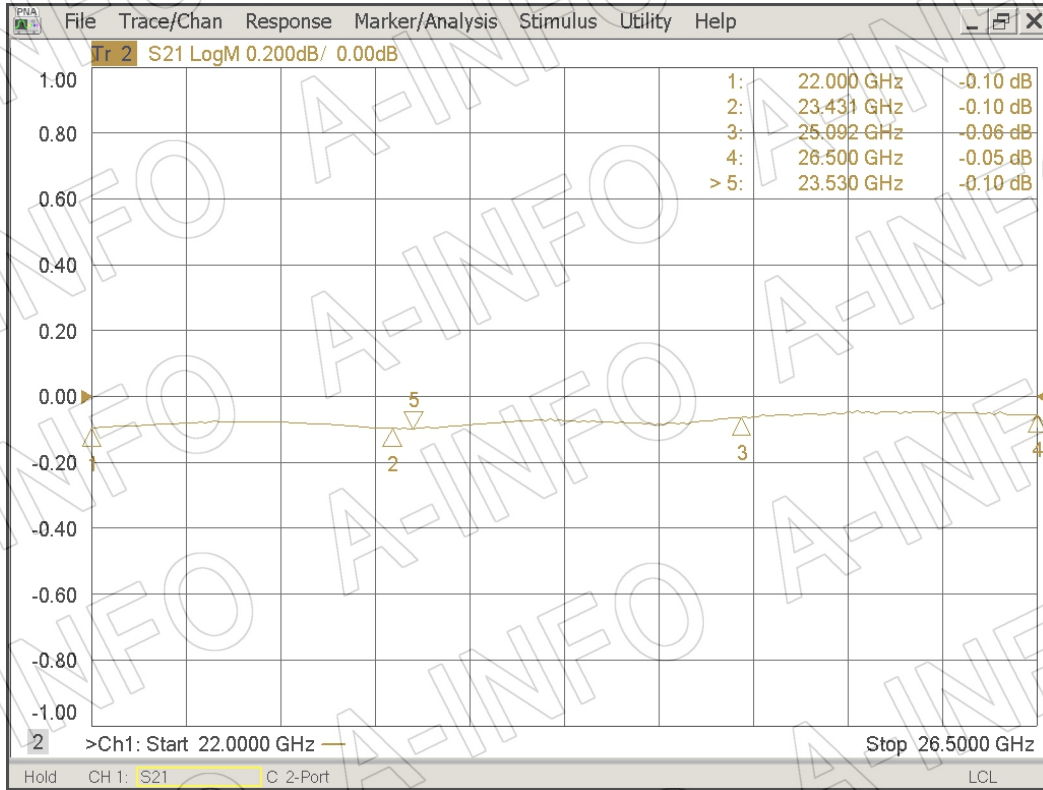
Page 2 of 3

(+86) 10-6266-7327 Fax: (+86) 10-6266-7379
(+86) 28-8519-3044 Fax: (+86) 28-8519-3068
(+1) 949-639-9608 Fax: (+1) 949-639-9670

Website: www.ainfoinc.com
Email: sales@ainfoinc.com

Test Results

I.L. (Test with two transitions back to back)



VSWR

